

Installation and Safety Instructions

Outdoor Wall Light Fitting

Safety Warnings

- **This is a Class 1 product and must be earthed.**
- Please read these instructions carefully before commencing any work and keep them for future reference. It is recommended that this fitting is installed by a qualified electrician.
- Install in accordance with the current IEE Wiring regulations and current Building Regulations.
- To prevent electrocution switch off at mains supply before installing or maintaining this fitting. Ensure other persons cannot restore the electrical supply without your knowledge. If you are in any doubt, please consult a qualified electrician.
- This light fitting should be connected to the 5/6 amp fused lighting circuit in your home.
- If replacing an existing fitting, make a note of the connections.
- Always use the correct type and wattage bulb. Never exceed the wattage stated.
- When changing a bulb, always switch off at the mains and allow the old bulb to cool down before handling.
- Dispose of used bulbs carefully.
- This product is IP44 rated and is suitable for outdoor use.

Care Information

Allow 10 minutes to cool before replacing, adjusting or cleaning.

79792: Clean with a dry cloth only. Do not use liquid or abrasive cleaners on this product.

71184: In normal circumstances, stainless steel is very resistant to corrosion. It does however require maintenance to preserve the high quality appearance. Wash the product with warm soapy water, removing all surface deposits. Rinse with clear water and with a soft cloth, wipe dry. In some cases, surface corrosion may arise after installation. This is normally caused by tiny iron particles left behind after the polishing process when finishing. Wash and dry as detailed above. Then with a soft cloth soaked with a protective oil, wipe all over.

However if the product is subject to extreme environmental conditions such as marine locations, industrial pollution and acid rain these maintenance procedures should be carried out around four times a year. For severe corrosion, non-abrasive cream cleaners or proprietary stainless steel cleaners should be used to remove the corrosion. Wash and dry as detailed above. Then with a soft cloth soaked with a protective oil, wipe all over.

Assembly/ User Instructions

Before you start

Please read these instructions carefully before fitting and retain for reference.

Check the packaging and make sure that you have all the required parts.

Follow each assembly step in order to prevent incorrect assembly.

Ensure that the product is fully assembled as illustrated before use.

The Light pack contains:

Light fitting.

Terminal connection block.

Fixing pack.

The following tools may be required:

Selection of cross and flat head screwdrivers.

Electric drill and assorted drill bits.

Wire strippers.

These assembly diagrams are intended as a guide – if in doubt consult a qualified electrician.

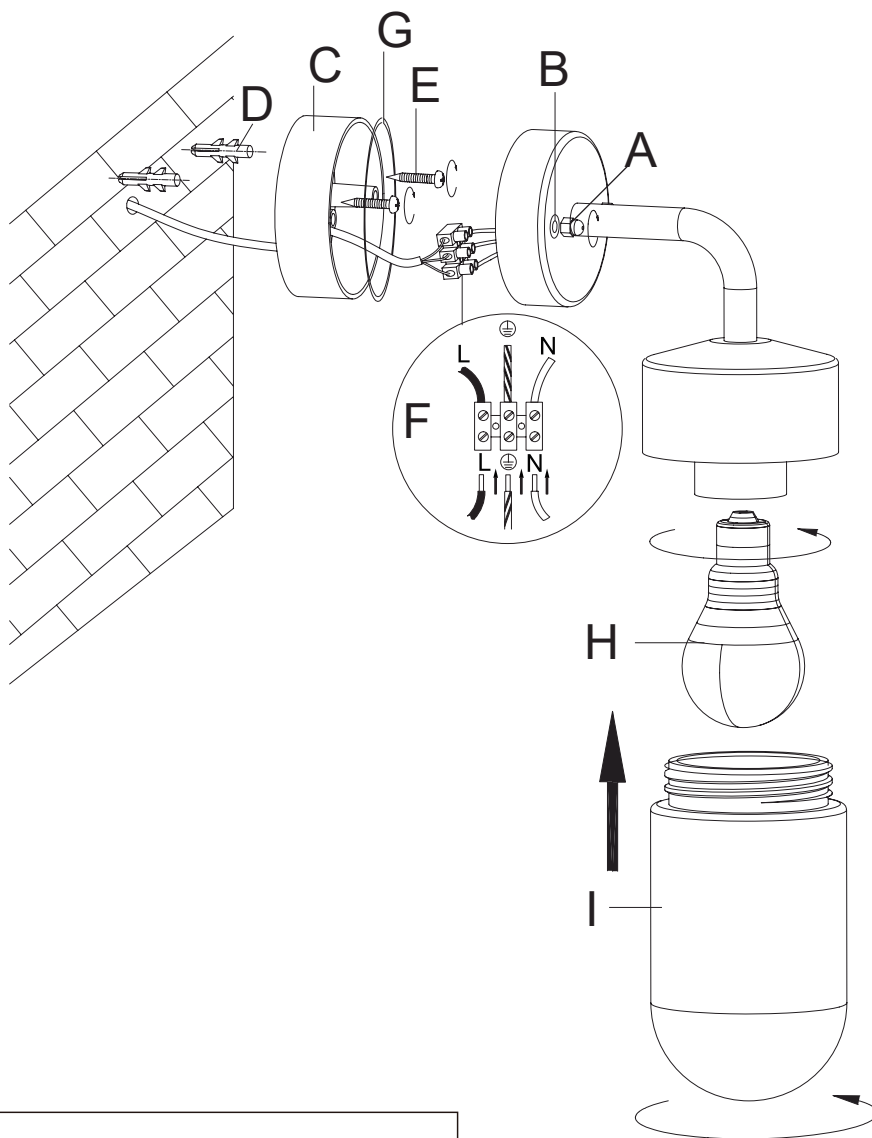
1. Remove the finials (A) and rubber washers (B) from the front of the product and lift the light fitting body away from the wall back (C). Keep the finials and washers in a safe place for refitting later.
2. Using the wall back as a template, mark the position of the mounting holes. Drill holes and fit supplied wall plugs (D) (suitable for masonry only - for other surfaces use appropriate fixings). Make sure the wall back is correctly oriented with the drain hole at the base. Take care not to damage any wiring or pipes when drilling the holes.



UK Manufacturer: BH17 7BY
EU Manufacturer: Brilliant AG,
Brilliantstrasse 1, D-27442 Gnarrenburg

Assembly/ User Instructions Continued

- Carefully pierce a small hole in the rubber grommet in the centre of the mounting box to allow the cable to pass through. Feed the incoming mains supply cable through the grommet entry hole.
- Secure the wall back to the wall using the screws and fixings supplied (E). Ensure the wall is capable of holding the weight of the product.
- Having identified the household wiring from your existing light fitting, connect to the connection block (F) inside the product. **Note: This is a Class 1 product and must be earthed. Check that:** the wiring connections are tight, the earth wire is correctly fitted to the earth connection, the incoming mains cable is kept away from the heat of the lamp and grommet is still in place to maintain the IP rating.
- Place the light fitting over the threads of the securing screws and refit the washers (B) and finials (A) to secure. A torque of 1.5Nm should be applied to the assembly nuts that hold the wall cup to the mounting plastic cup. Make sure the rubber seal (G) is in place to maintain the IP rating and ensure the fitting is correctly oriented - lampholder must point downwards.
- Fitting/Replacing the bulb (H) - Max. 40W E27 GLS:** When changing a bulb, always switch off at the mains and allow the bulb to cool before handling. Dispose of used bulbs carefully. Do not exceed the wattage stated. This fitting is compatible with energy saving lightbulbs.
- Fitting the glass shade (I):** Screw the glass shade over the threaded lampholder (under the metal canopy) to secure in place. Ensure rubber seal is in place. Do not overtighten.
- Replace fuse or circuit breaker and switch on. Your light is now ready for use.



- (EN) Scan QR code for multi-language
- (FR) Scannez le code QR pour plusieurs langues
- (ES) Escanee el código QR para varios idiomas
- (PL) Zeskanuj kod QR dla wielu języków
- (DE) Scannen Sie den QR-Code nach mehreren Sprachen
- (IT) Scansiona il codice QR per multilingua